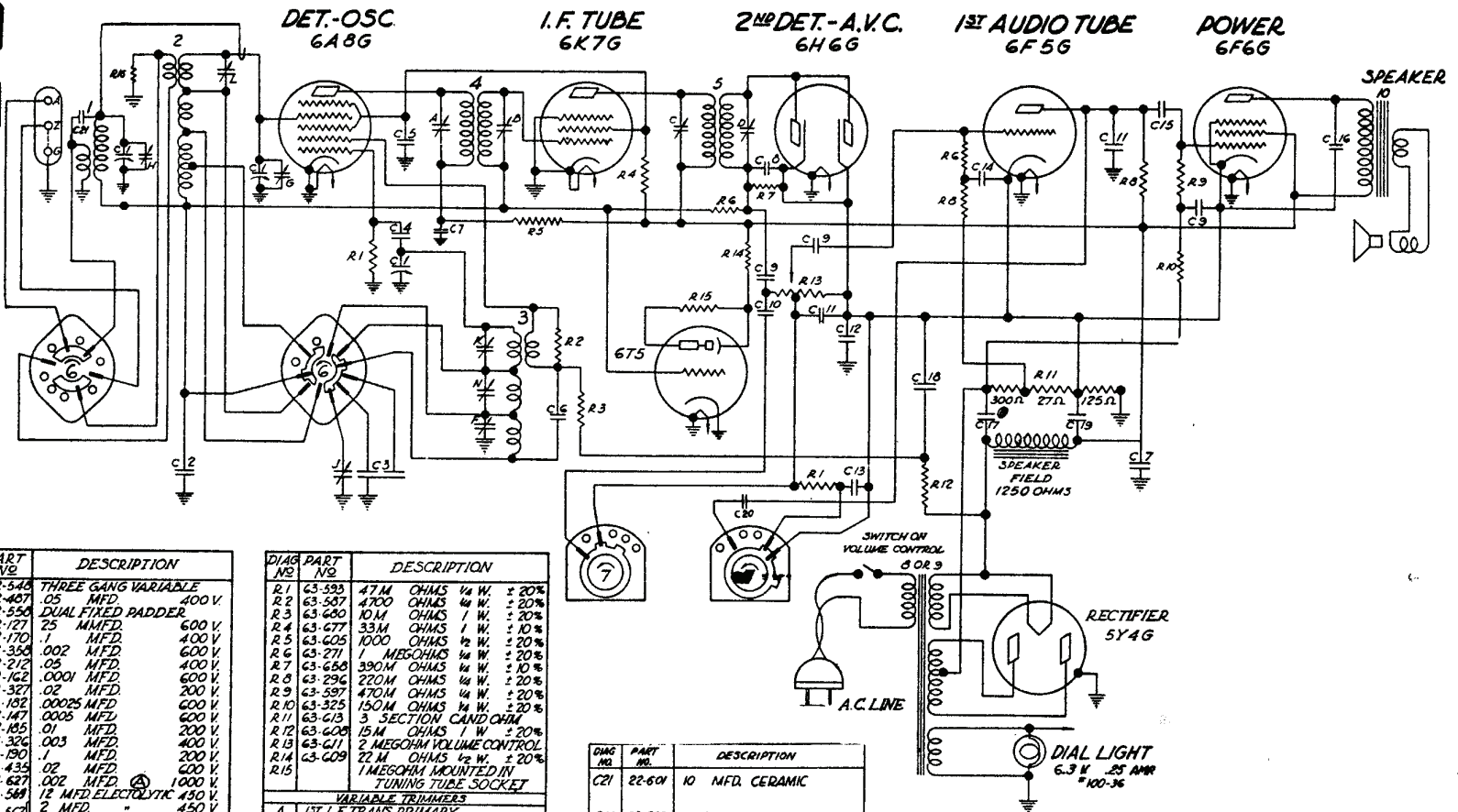


Models 7-S-204, 7-S-232, 7-S-240, 7-S-242, 7-S-258, 7-S-260, 7-S-261 (5709 Chassis)



DIAG. NO.	PART NO.	DESCRIPTION
C1	22-546	THREE GANG VARIABLE
C2	22-467	.05 MFD. 400 V.
C3	22-550	DUAL FIXED PADDER
C4	22-127	25 MMFD. 600 V.
C5	22-170	.1 MFD. 400 V.
C6	22-358	.002 MFD. 600 V.
C7	22-212	.05 MFD. 400 V.
C8	22-162	.0001 MFD. 600 V.
C9	22-327	.02 MFD. 200 V.
C10	22-182	.00025 MFD. 600 V.
C11	22-147	.0005 MFD. 600 V.
C12	22-185	.01 MFD. 200 V.
C13	22-326	.003 MFD. 400 V.
C14	22-190	.1 MFD. 200 V.
C15	22-435	.02 MFD. 600 V.
C16	22-527	.002 MFD. 450 V.
C17	22-584	12 MFD. ELECTROLYTIC 450 V.
C18	22-562	2 MFD. 450 V.
C19		1/2 MFD. 450 V.
C20	22-448	.004 MFD. 600 V.
D	3-4780	ANTENNA COIL ASSEMBLY
E		
F	3-5054	DETECTOR COIL & SHIELD ASSEM.
G		
H	3-4969	OSCILLATOR COIL & SHIELD ASSEM.
I	95-416	1ST I.F. TRANS.
J	95-417	2ND I.F. TRANS.
K	85-110	BAND SELECTOR SWITCH
L	85-106	TRIMMER CONTROL SWITCH
M	95-418	POWER TRANS.-117V. 50 CYCLE
N	95-451	POWER TRANS.-ALL VOLTAGE SCHEM.
O		SPEAKER TRANSFORMER

DIAG. NO.	PART NO.	DESCRIPTION
R1	63-593	47M OHMS 1/4 W. ± 20%
R2	63-597	4700 OHMS 1/4 W. ± 20%
R3	63-600	10M OHMS 1 W. ± 20%
R4	63-677	33M OHMS 1/2 W. ± 10%
R5	63-605	1000 OHMS 1/2 W. ± 20%
R6	63-271	1 MEGOHMS 1/4 W. ± 20%
R7	63-688	390M OHMS 1/4 W. ± 10%
R8	63-296	220M OHMS 1/4 W. ± 20%
R9	63-597	470M OHMS 1/4 W. ± 20%
R10	63-325	150M OHMS 1/4 W. ± 20%
R11	63-613	3 SECTION CAND OHM
R12	63-608	15M OHMS 1 W. ± 20%
R13	63-611	2 MEGOHM VOLUME CONTROL
R14	63-609	22 M OHMS 1/2 W. ± 20%
R15		1 MEGOHM MOUNTED IN TUNING TUBE SOCKET
VARIABLE TRIMMERS		
A		1ST I.F. TRANS. PRIMARY
B		1ST I.F. TRANS. SECONDARY
C		2ND I.F. TRANS. PRIMARY
D		2ND I.F. TRANS. SECONDARY
E		BROADCAST OSCILLATOR (SEE NOTE)
F		DETECTOR BROADCAST (ON GANG)
G		ANTENNA BROADCAST (ON GANG)
H		22-515 BROADCAST PADDER
I		SHORT WAVE OSCILLATOR (SEE NOTE)
J		SHORT WAVE DETECTOR (SEE NOTE)
K		POLICE BAND OSCILLATOR (SEE NOTE)
L		
M		
NOTE:- TRIMMERS F, K, L, & N MOUNTED ON BAKELITE STRIP #22-549		

DIAG. NO.	PART NO.	DESCRIPTION
C21	22-604	10 MFD. CERAMIC
R16	63-583	1000 OHMS 1/4 W. ± 20%

SPEAKERS	MODELS
49-203	8" 7-S-232
49-206	8" 7-S-240
49-206	8" 7-S-242
49-181	10" 7-S-258
49-195	12" 7-S-260
49-195	12" 7-S-261

I.F. - FREQUENCY 456 K.C.  
 7 TUBE SUPERHETERODYNE  
 3 BAND  
 CHASSIS NO 5709  
 ZENITH RADIO CORP.